

## FUELINK™ RADIO-100 CONTROL KIT

- Also known as FLR-100 control kit
- Short range, 100 ft line of sight
- 400 MHz frequency range with dipswitch security settings
- Capable of operating up to four individual product prices
- Control kit includes miniature "key fob" transmitter and 4-product radio
- All signs on network must be hard wired to each other
- Multiple receivers are not allowed

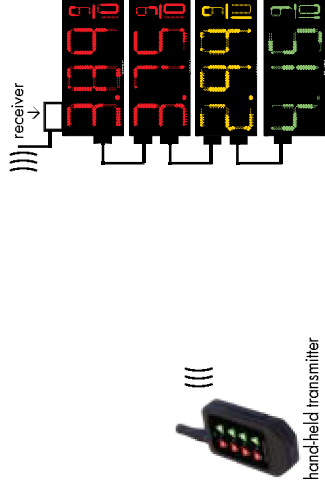
## FUELINK RADIO-500 CONTROL KIT

- Also known as FLR-500 control kit
- Medium range, 500 ft line of sight
- 900 MHz frequency range with pass code security
- Capable of operating up to five individual product prices
- Control kit includes hand-held transmitter and radio receiver
- Multiple receivers for each transmitter is allowed

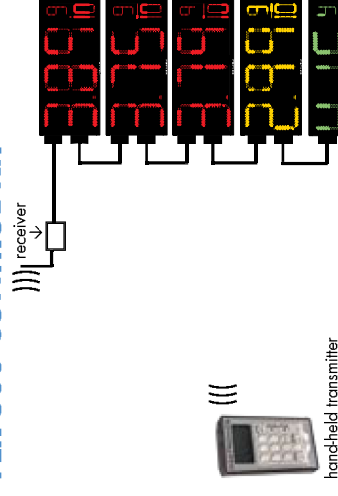
## FUELINK RADIO-1500 CONTROL KIT

- Also known as FLR-1500 control kit
- Long range, 1,500 ft line of sight
- 2.4 GHz frequency range with pass code and frequency hopping security
- Capable of operating up to five individual product prices
- Control kit includes radio transmitter, radio receiver, DM-100 controller and wiring
- Multiple receivers for each transmitter is allowed

### FLR-100 CONTROL KIT



### FLR-500 CONTROL KIT



### FLR-1500 CONTROL KIT

